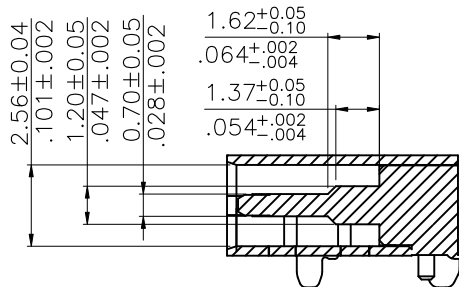
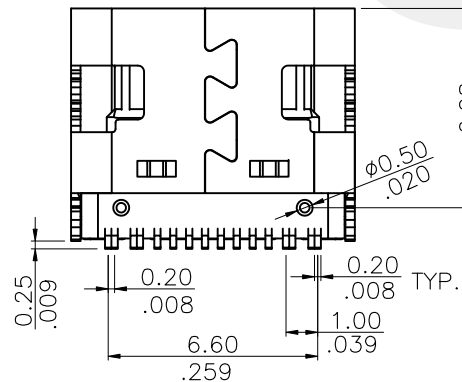
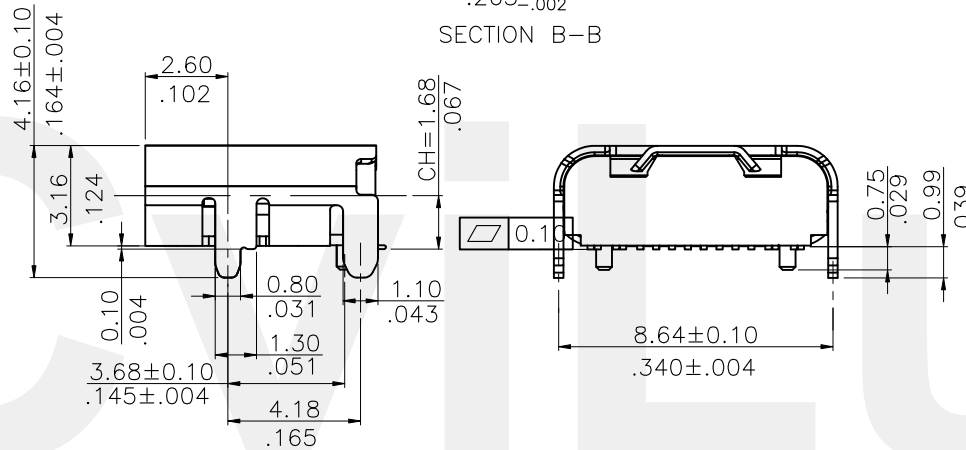
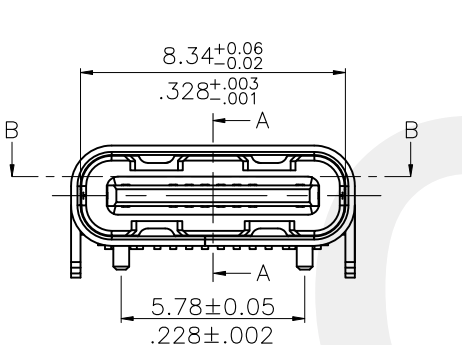


SECTION B-B



SECTION A-A

MATERIAL:

- 1.HOUSING: LCP, GLASS FIBER FILLED, BK
- 2.CONTACT: COPPER ALLOY
- 3.SHIELD: STAINLESS STEEL

FINISH:

- CONTACT: SEE ORDER INFORMATION
- SHELL: NICKEL PLATING
- RATED VOLTAGE :5V

Ordering Code:

CU32 16 S * S D L R 010 -NH
 ① ② ③ ④ ⑤ ⑥ ⑦ ⑧ ⑨

- ① Series No.CU32
- ② No of Circuits:16Pin
- ③ S= Socket
- ④ Plating option:
 A= Gold Flash plated on Contact area,
 Matte Tin plated on Solderails,
 Nickel underplating over all
 2= Gold flash over 50u" (1.27um)
 Nickel
- ⑤ Shell Material & Plating:
 S=SUS 304 Ni Plated
- ⑥ Contact Material: D=Copper Alloy
- ⑦ Insulator Material & Color option:
 L=Lcp Black
- ⑧ Packing R= Tape & Reel
- ⑨ -NH= For Lead Free wave or IR Reflow
 Processes & Halogen Free

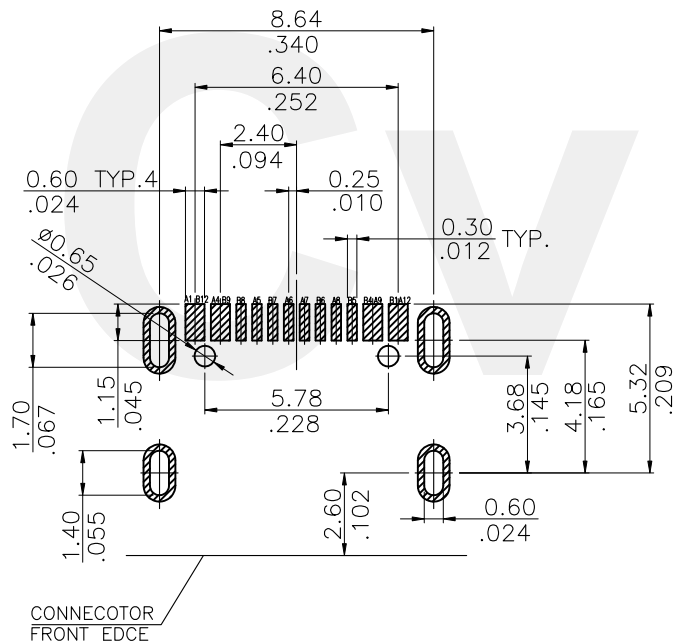
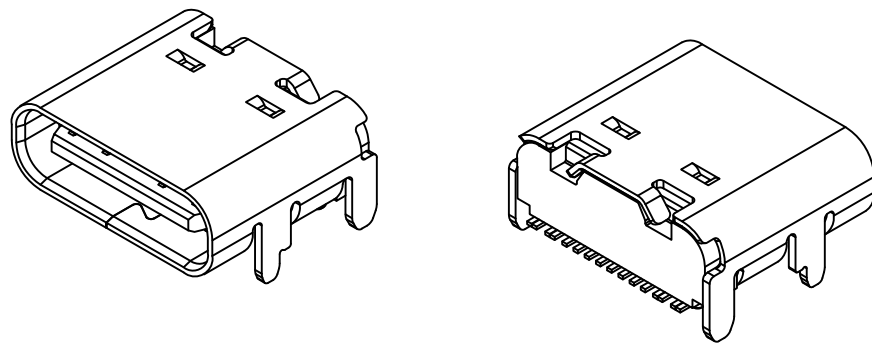
Halogen-Free RoHS Compliant

4					DATE	UNIT: mm / inch	TITLE: Type C/F 16 PIN CH=1.68mm SMT TYPE TOP MOUNT TYPE
3					DRAWN BY: Annie	TOLERANCE UNLESS OTHERWISE SPECIFIED	MATERIAL:
2					ENGINEER: Gavin	.X ± 0.25/.010 X' ± 4'	
1	Annie	7.20	CHANGE ECND121024		CHECKED BY: Keny	.XX ± 0.20/.008 X' ± 2'	
SYM	NAME	DATE	REVISIONS		APPROVED BY: Keny	.XXX ± 0.10/.004 .XX' ±	FINISH:

CVILUX COUP
 2021.08.12
 ISSUED

瀚荃股份有限公司
 CviLux Corporation

DRAWING NO.	CU32S10SB	PART NO.	CU3216S*SDLR010-NH
SCALE	1 / 1	SHEET	1 OF 3




RECOMMENDED P.C.B. LAYOUT (T:1.00mm)
TOLERANCE ±0.05mm

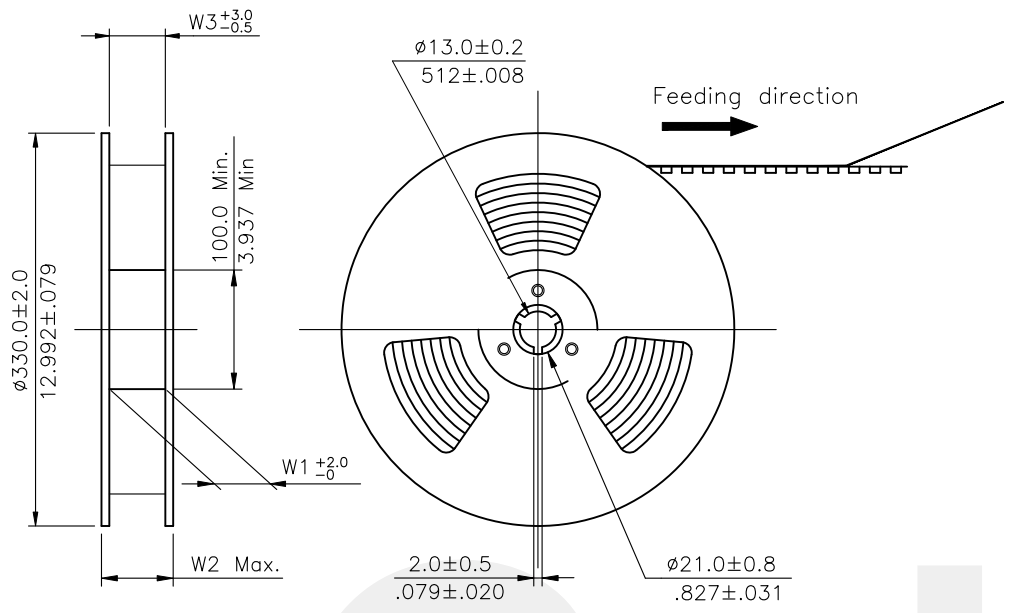
USB TYPE-C FULL-FEATURED RECEPTACLE INTERFACE PIN ASSIGNMENTS

PIN	Signal Name	Description	PIN	Signal Name	Description
A1	GND	Ground return	B12	GND	Ground return
A2			B11		
A3			B10		
A4	Vbus	Bus Power	B9	VBUS	Bus Power
A5	CC1	Configuration Channel	B8	SBU2	Sideband Use(SBU)
A6	Dp1	Positive half of the USB 2.0 differential pair-Position 1	B7	Dn2	Negative half of the USB 2.0 differential pair-Position 2
A7	Dn1	Negative half of the USB 2.0 differential pair-Position 1	B6	Dp2	Positive half of the USB 2.0 differential pair-Position 2
A8	SBU1	Sideband Use(SBU)	B5	CC2	Configuration Channel
A9	VBUS	Bus Power	B4	VBUS	Bus Power
A10			B3		
A11			B2		
A12	GND	Ground return	B1	GND	Ground return

Halogen-Free RoHS Compliant

4							UNIT: mm / inch	TITLE: Type C/F 16 PIN CH=1.68mm SMT TYPE TOP MOUNT TYPE	 瀚荃股份有限公司 CviLux Corporation
3							TOLERANCE UNLESS OTHERWISE SPECIFIED	MATERIAL:	
2							.X ± 0.25/010	X' ± 4'	DRAWING NO. CU32S10SB
1	Annie	7.20	CHANGE ECND121024	CHECKED BY: Keny	07/20-21'		.XX ± 0.20/008	X' ± 2'	PART NO. CU3216S*SDLR010-NH
SYM	NAME	DATE	REVISIONS	APPROVED BY: Keny	07/20-21'		.XXX ± 0.10/004	XX' ±	SCALE 1 / 1
									SHEET 2 OF 3

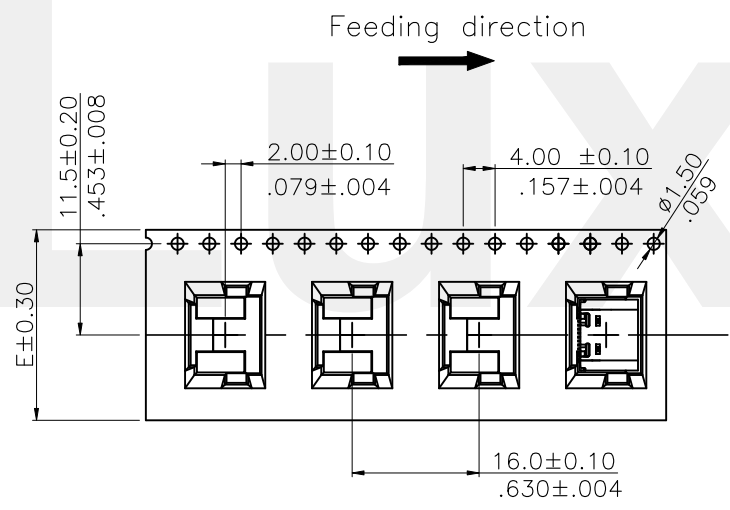
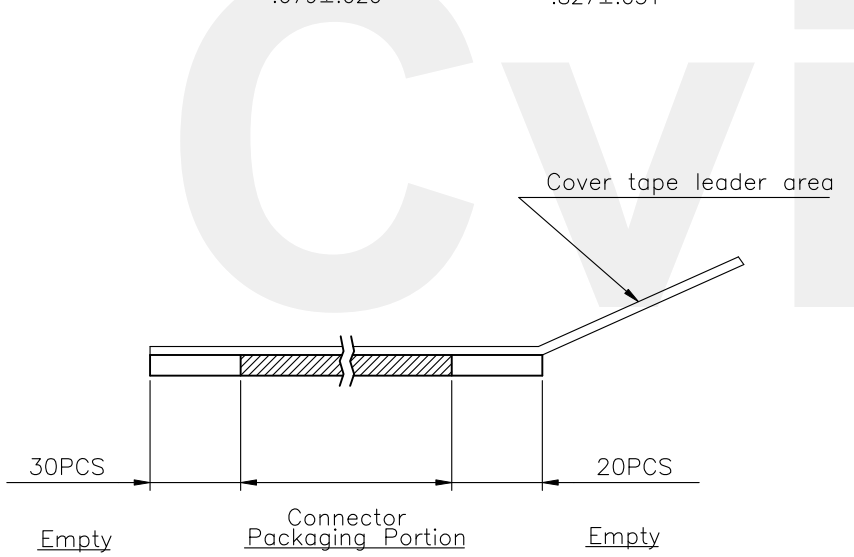
CVILUX COUP
2021.08.12
ISSUED



NOTE :

- * Reel Material : HIPS
- * Carrier Material : Clear, Conductive Polystyrene Alloy
- * Cover Tape Material : Polyester
- * Cover Tape Peel Strength : 0.1N – 1.3N
- * Carrier camber is within 1mm in 250mm
- * All dimensions meet EIA-481-B requirements.
- * Quantity : 800 PCS/Reel

Dimension				Packing (Reel/Carton)
E	W1	W2	W3	
24.0(.945)	24.5(.965)	30.5(1.201)	24.5(.965)	10



Halogen-Free RoHS Compliant

SYM	NAME	DATE	REVISIONS	APPROVED BY:	DATE	UNIT: mm / inch	TITLE:	
4						UNIT: mm / inch	Type C/F 16 PIN CH=1.68mm SMT TYPE TOP MOUNT TYPE	
3						TOLERANCE UNLESS OTHERWISE SPECIFIED		
2						.X ±	MATERIAL:	
1	Annie	7.20	CHANGE ECND121024	Keny	07/20-21'	.XX ±		FINISH:
				Keny	07/20-21'	.XXX ±		

瀚荃股份有限公司
CviLux Corporation

DRAWING NO.	CU32S10SB	PART NO.	CU3216S*SDLR010-NH
SCALE		SHEET	3 OF 3

CIVILUX COUP
2021.08.12
ISSUED